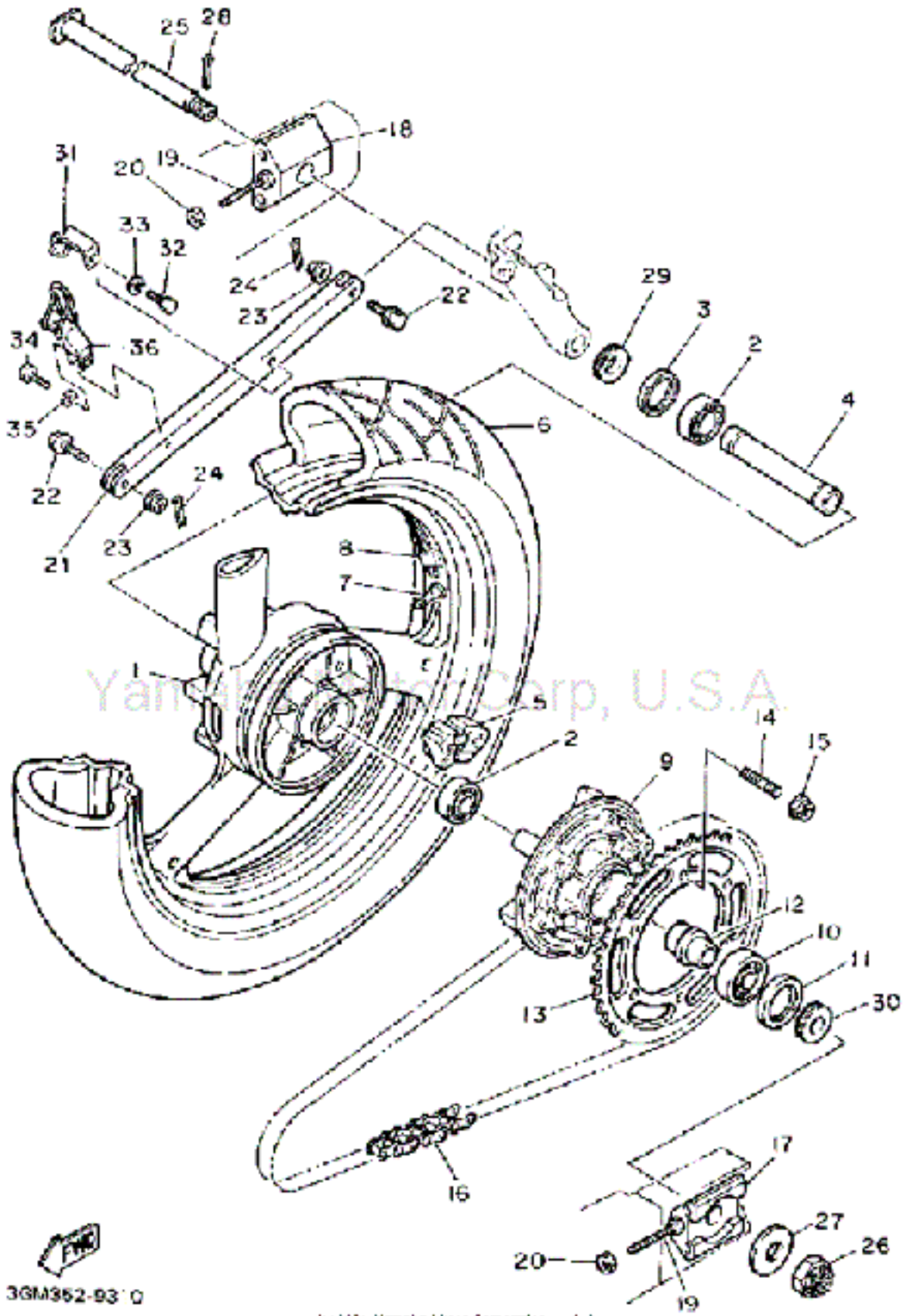


3LE332-9320

©2004 Yamaha Motor Corporation, U.S.A.

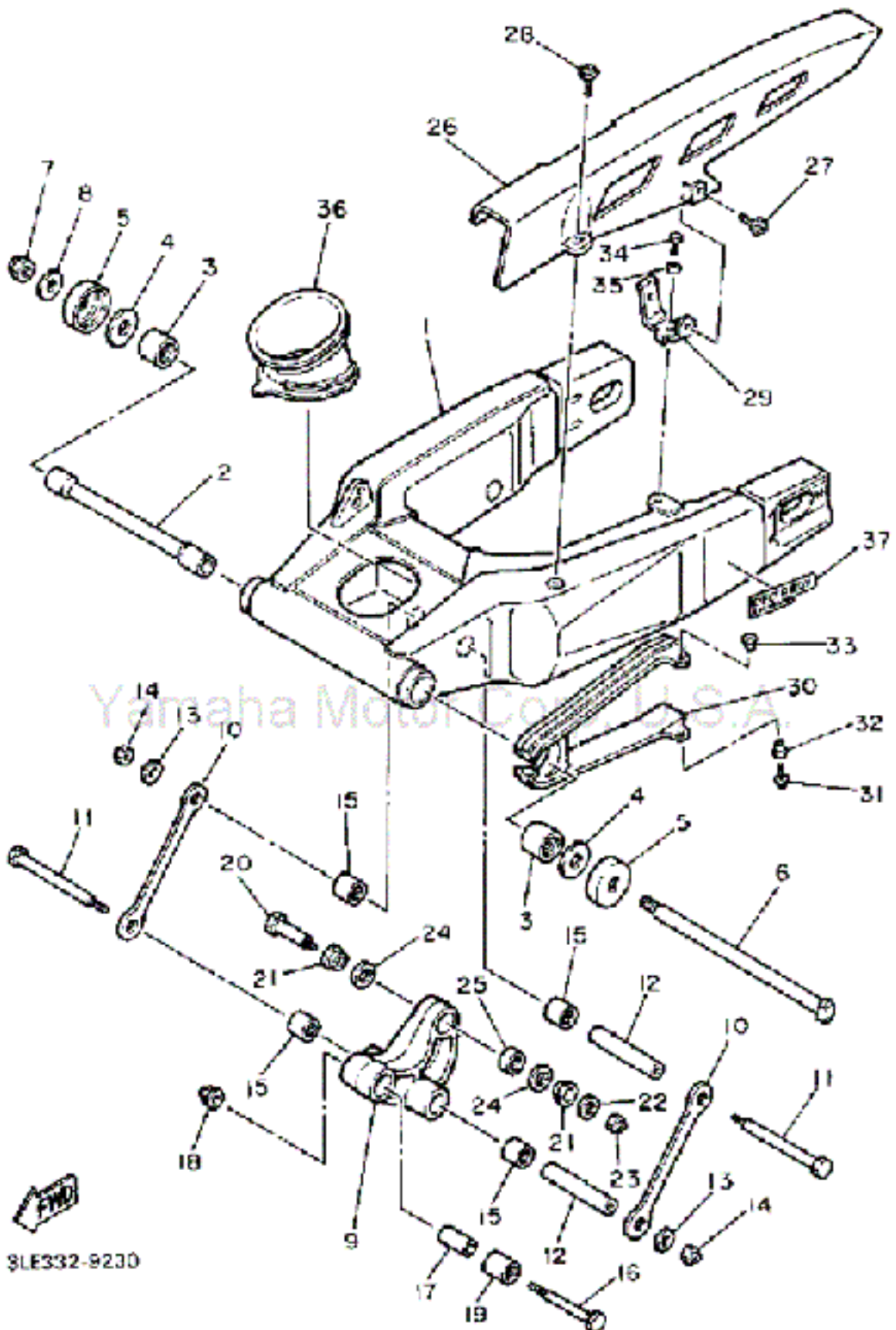
Item	Part #	Description	Notes	Req
1	2KT-25831-00-00	DISC, BRAKE (RIGHT)		1
2	90109-08718-00	BOLT		6
3	3GM-2580W-00-00	CALIPER ASSY REAR2		1
4	31A-W0057-00-00	PISTON ASSY, CALIPER		1
5	31A-W0047-00-00	CALIPER SEAL KIT		1
6	26H-W0045-11-00	BRAKE PAD KIT		1
7	1WG-25919-00-00	SUPPORT, PAD		1
8	3HE-25924-00-00	PIN, PAD		2
9	3HE-25925-00-00	CLIP		2
10	1J3-W0048-00-00	BLEED SCREW KIT		2
11	51J-25836-00-00	COVER, DUST		1
12	1FK-25827-00-00	SHIM, CALIPER		1
13	1FK-25828-00-00	SHIM, CALIPER		1
14	3GM-25819-00-00	BRACKET, CALIPER		1
15	90105-10638-00	BOLT, WASHER BASED		2



3GM362-93 0

© 2004 Yamaha Motor Corporation, U.S.A.

Item	Part #	Description	Notes	Req
1	3GM-25338-01-UA	WHEEL, CAST REAR	CAST WHEEL WHT	1
2	93306-30416-00	BEARING (B6304RS)		2
3	93106-40027-00	OIL SEAL		1
4	90560-20357-00	SPACER		1
5	2GH-25364-00-00	DAMPER		5
6	94117-173U9-00	170/60 ZR17-V280 P		1
7	93900-00030-00	VALVE, RIM		1
8	29L-25398-00-00	BALANCER, WHEEL (10G)	UN	1
	29L-25398-10-00	BALANCER, WHEEL (20G)	UN	1
	29L-25398-20-00	BALANCER, WHEEL (30G)	UN	1
9	36Y-25366-01-00	CLUTCH, HUB		1
10	93306-30507-00	BEARING		1
11	93106-42026-00	OIL SEAL		1
12	36Y-25377-00-00	COLLAR, WHEEL		1
13	2GH-25447-21-00	SPROCKET, DRIVEN (47T)	BLACK	1
14	90116-10485-00	BOLT, STUD		6
15	95601-10200-00	NUT, SELF-LOCKING		6
16	94571-31110-00	CHAIN (RK532GSV2-110L)		1
	94581-26110-00	CHAIN (DID53ZLV-110L)	UR	1
17	3GM-25388-00-00	PULLER, CHAIN 1		1
18	3GM-25389-00-00	PULLER, CHAIN 2		1
19	90101-08705-00	BOLT		2
20	95333-08600-00	NUT		2
21	3GM-25371-00-00	BAR, TENSION		1
22	90105-08321-00	BOLT, WASHER BASED		2
23	95701-08500-00	NUT, FLANGE (95702-08500)		2
24	91490-20020-00	PIN, COTTER		2
25	3GM-25381-00-00	AXLE, WHEEL		1
26	90171-18043-00	NUT, CASTLE		1
27	90201-186M4-00	WASHER, PLATE		1
28	91401-40040-00	PIN, COTTERPIN, COTTER (91401-4		1
29	90387-203U5-00	COLLAR		1
30	90387-203U4-00	COLLAR		1
31	3GM-25876-00-00	HOLDER, BRAKE HOSE 2		1
32	97011-06010-00	BOLT (97002-06010)		1
33	92995-06100-00	WASHER, SPRING		1
34	97021-06030-00	BOLT		1
35	92995-06100-00	WASHER, SPRING		1
36	3GM-25875-00-00	HOLDER, BRKE HOSE 1HOSE 1		1



SLE332-923D

© 2004 Yamaha Motor Corporation, U.S.A.

Item	Part #	Description	Notes	Req
1	3GM-22110-00-00	REAR ARM COMP.		1
2	3GM-22184-00-00	BUSH		1
3	93317-52865-00	BEARING, CYLINDRICAL		2
4	3GM-22127-00-00	SHIM		2
5	3GM-22128-00-00	COVER, THRUST 1		2
6	3GM-22141-00-00	SHAFT, PIVOT		1
7	90185-18104-00	NUT, SELF-LOCKING		1
8	90201-186M4-00	WASHER, PLATE		1
9	3GM-2217A-00-00	ARM, RELAY		1
10	3GM-2217M-00-00	ARM 1		2
11	90101-12673-00	BOLT		2
12	90387-126T1-00	COLLAR		2
13	90201-126A7-00	WASHER, PLATE		2
14	95611-12100-00	NUT, U		2
15	93317-41761-00	BEARING		4
16	90109-101F1-00	BOLT		1
17	90387-100T8-00	COLLAR		1
18	95601-10200-00	NUT, SELF-LOCKING		1
19	93317-42060-00	BEARING		1
20	90101-10659-00	BOLT		1
21	90387-124W2-00	COLLAR		2
22	90201-10437-00	WASHER, PLATE		1
23	95611-10100-00	NUT, U		1
24	93101-16131-00	OIL SEAL		2
25	93399-99919-00	BEARING		1
26	3GM-22311-00-00	CASE, CHAIN		1
27	90159-06084-00	SCREW, WITH WASHER		1
28	90159-06108-00	SCREW, WITH WASHER		1
29	3GM-22321-00-00	STAY, CHAIN CASE 1		1
30	3GM-22151-00-00	SEAL, GUARD		1
31	90159-06108-00	SCREW, WITH WASHER		1
32	90387-06704-00	COLLAR		1
33	90387-06216-00	COLLAR		1
34	97013-06012-00	BOLT		1
35	92995-06100-00	WASHER, SPRING		1
36	3GM-22129-00-00	COVER, THRUST 2		1
37	3EN-2218A-51-00	EMBLEM, REAR ARM		1